

## Fiber Coupled Broadband White LED

### Light Source for Spectroscopy

Product P/N
FC-LED-BBW27
FC-LED-BBW50
FC-LED-BBW50-Plus

Fiber P/N	Fiber Core [μm]	Fiber NA	Output Power FC-BBW27 2700K [mW]	Output Power FC-BBW50 5000K [mW]	Output Power FC-BBW50-Plus 5000K [mW]
M142L01	400	0.22	1.59	1.55	1.2
M28L01	400	0.39	4	3.9	3.1
M114L01	600	0.22	3.7	3.4	3
M29L01	600	0.39	9	8.2	7.1
M59L01	1000	0.5	33	32	25.2

※ 出力値は長さ1Mファイバ先端からの代表値です。

## Electrical Specifications

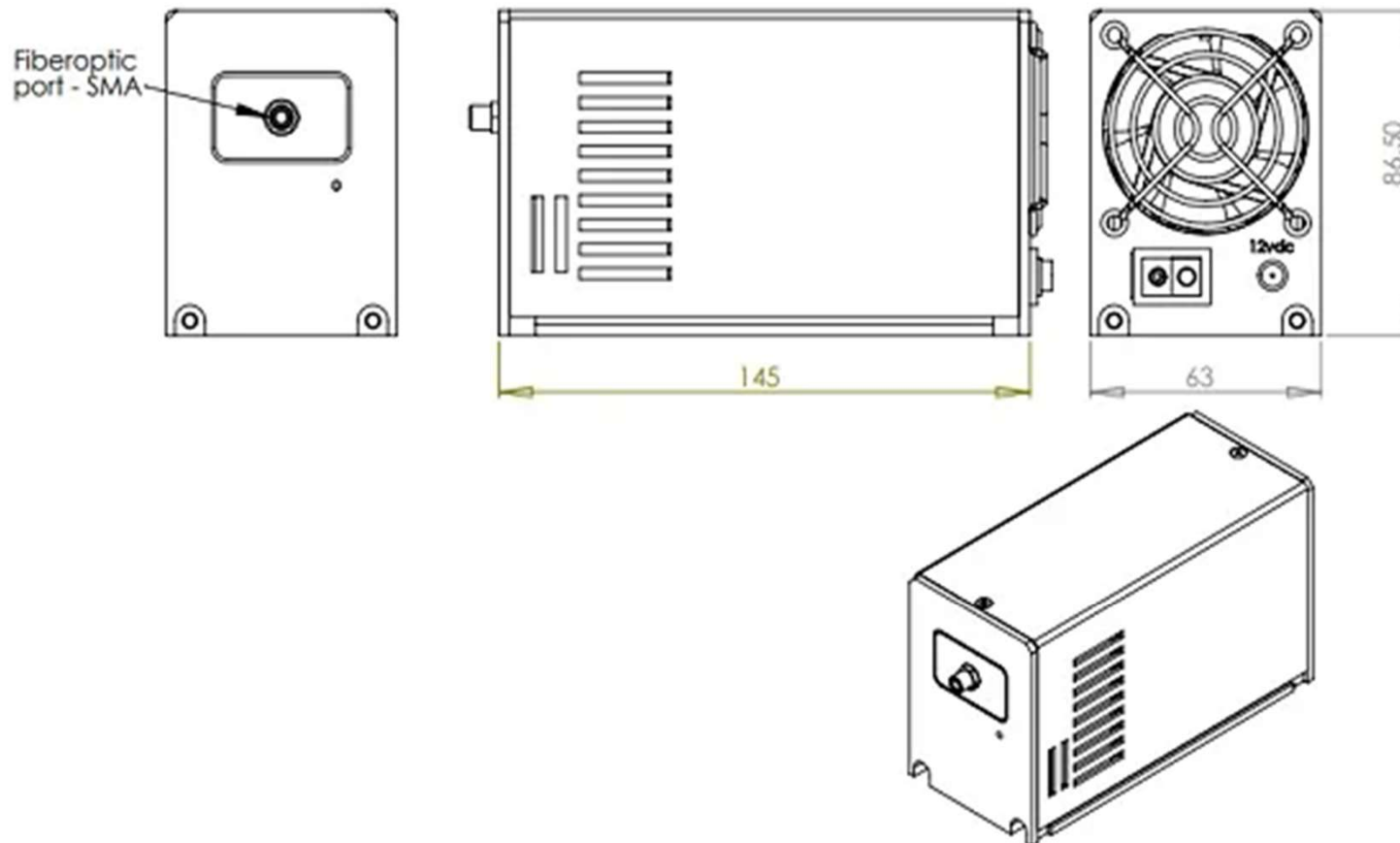
Input Voltage	Vdc	12
Power Adaptor Input		100-240 VAC, 50/60Hz, 0.7A

## General Specifications

Operation temperature range	°C	10-35
Storage Temperature range	°C	-65
Operating relative humidity (Non condensing)	%	<90
Dimensions (L x W x H)		See drawing below
Head weight	g	700
Power Adaptor Dimensions (Lx W x H)	mm	93 x 54 x 36
Power Adaptor Weight	g	209
Power Adaptor Safety		

## Mechanical Drawings

FC-BBW27/ FC-BBW50



FC-BBW50-Plus

